

AMANO®

PIX-15

Electronic Time Recorder

Service Parts List



Amano Cincinnati Inc. reserves the right to make equipment changes and improvements that may not be reflected in this document. Portions of this document may have been updated to include the latest hardware or firmware version, if applicable.

Proprietary Notice

This document contains proprietary information and such information may not be reproduced in whole or in part without written permission from:

Amano Cincinnati, Inc.
140 Harrison Avenue
Roseland, New Jersey, 07068

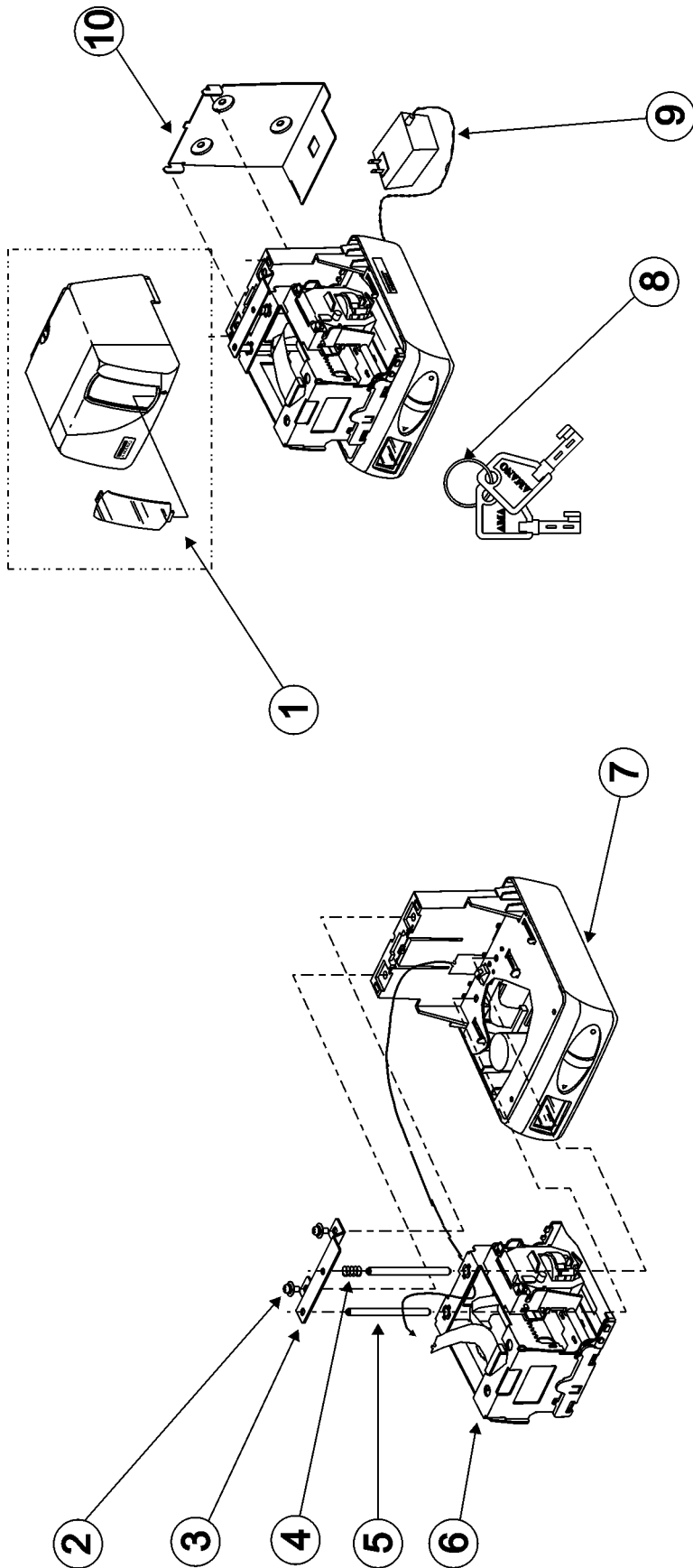
For more information about Amano's complete line of products, visit our web site at:

www.amano.com

Table of Contents

Total Assembly	1
Base Case Assembly	3
Printer Assembly.....	5

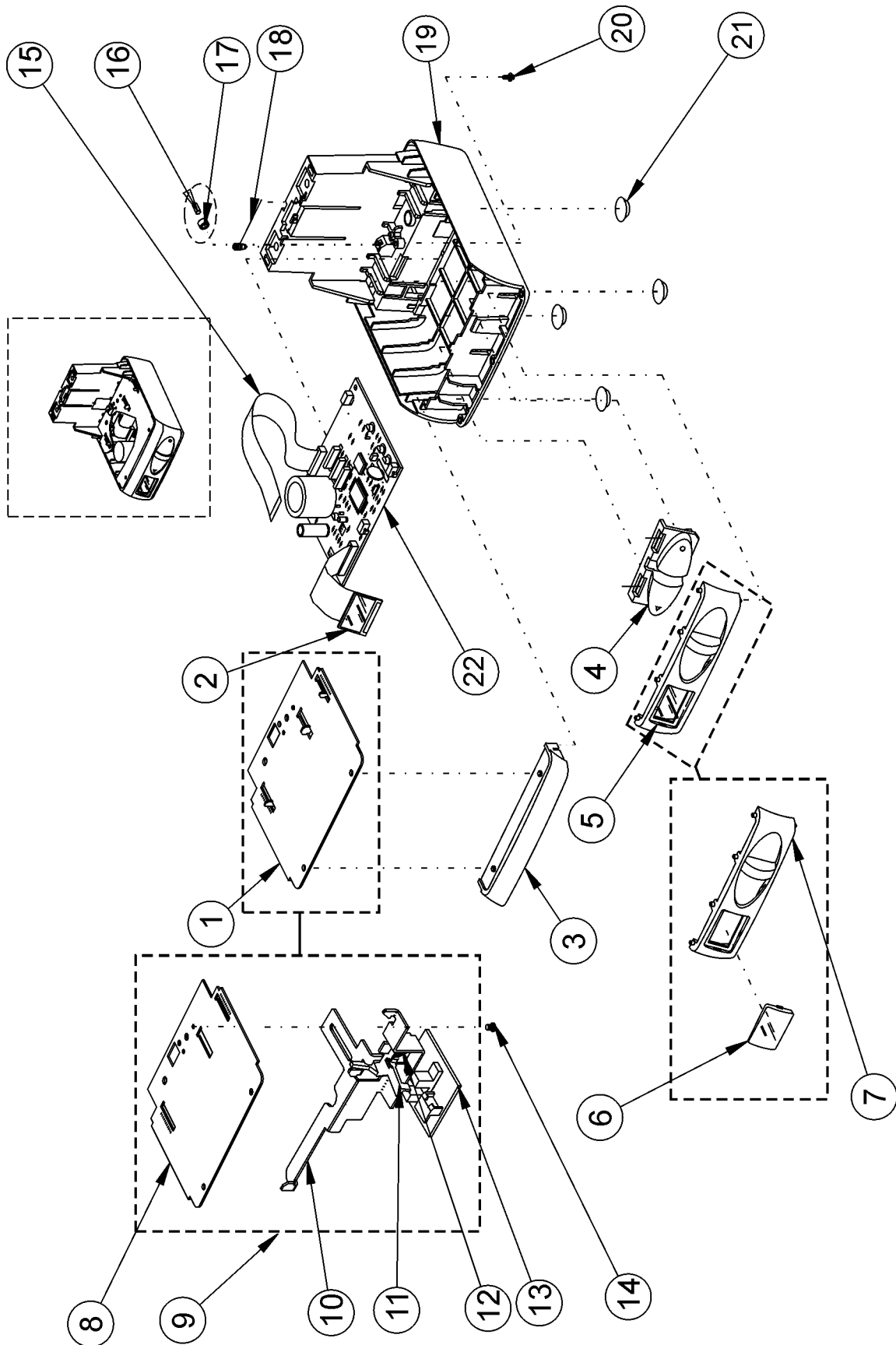
Total Assembly



Total Assembly (Cont'd.)

NO.	PART NO.	DESCRIPTION	QTY. PER
1	AJR-212150	PIX-15 COVER CASE ASSEMBLY	1
2	YBG-4010	SCREW LOCK WASH. ASSEMBLY	2
3	AJR-200800	ADJUSTING PLATE	1
4	ACC-600320	COMPRESSION SPRING	1
5	AJR-303100	PRINTER GUIDE SHAFT	2
6	AJR-201370	PRINTER ASSEMBLY	1
7	AJR-212380	BASE CASE ASSEMBLY, PIX-15	1
8	AJR-201150	KEY ASSEMBLY	1
9	ATE-018630	WALL MOUNT TRANSFORMER 230V (UK PLUG)	1
	ATE-018420	WALL MOUNT TRANSFORMER 230V (EURO PLUG)	
	ATE-005910	WALL MOUNT TRANSFORMER 240V (AUSTRALIA PLUG)	
	EOE-108370	WALL MOUNT TRANSFORMER 120V (US PLUG)	
10	AJR-201050	WALL MOUNT BRACKET ASSEMBLY	1

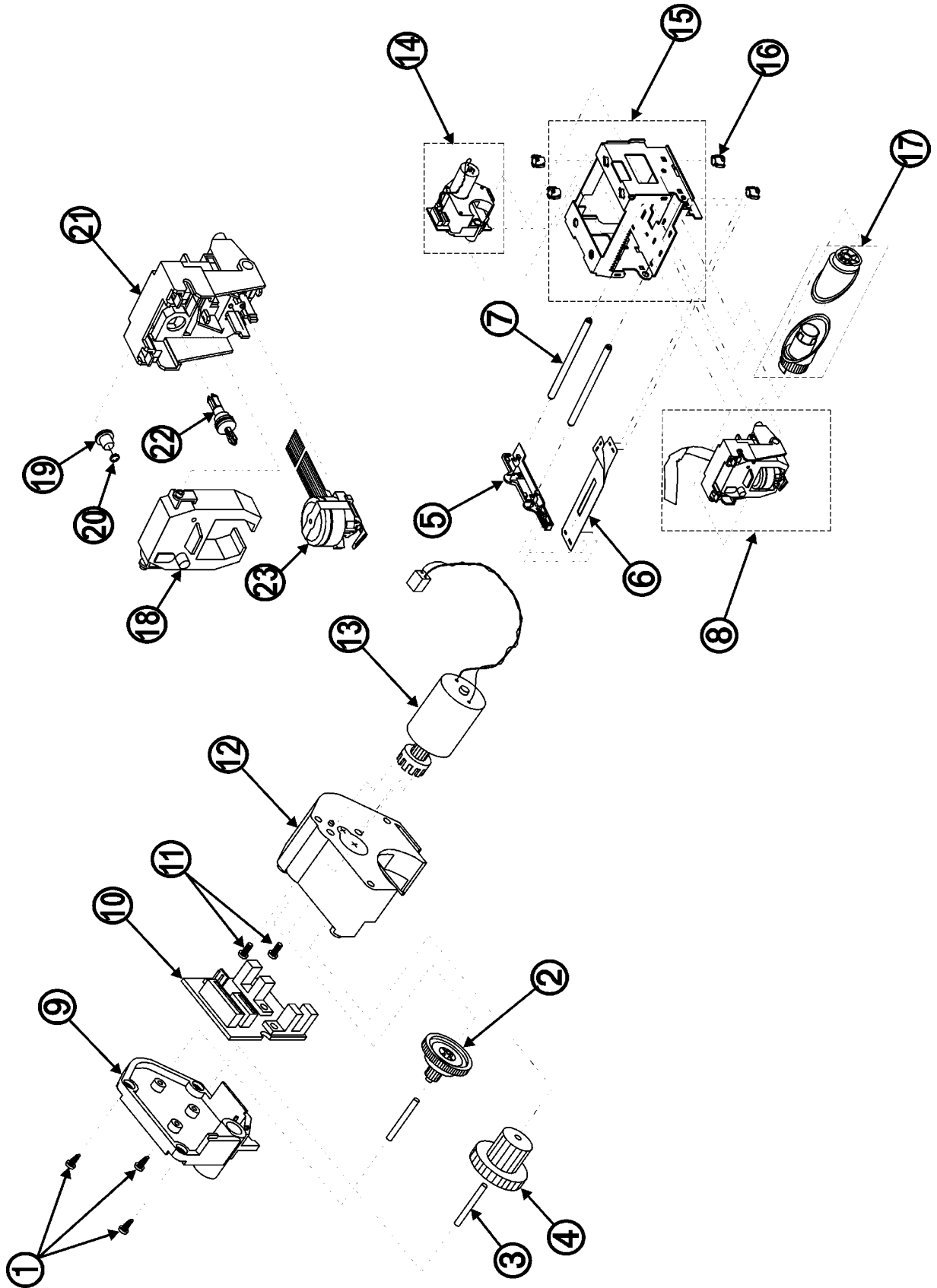
Base Case Assembly



Base Case Assembly (Cont'd.)

NO.	PART NO.	DESCRIPTION	QTY. PER
1	AJR-207173	PIX-21 BASE PLATE ASSEMBLY	1
2	EDP-300440	LCD ASM(PIX-10)	1
3	AJR-212400	BASE CASE APRON PIX-15	1
4	AJR-212600	PRINT BAR, PIX-15	1
5	AJR-212550	BASE FRONT PANEL ASSEMBLY PIX-15	1
6	AJR-200200	DISPLAY WINDOW	1
7	AJR-212500	BASE FRONT PANEL PIX-55	1
8	AJR-207153	BASE PLATE (PIX-10)	1
9	AJR-207150	CARD STOPPER GUIDE ASSEMBLY	1
10	AJR-218100	CARD STOPPER GUIDE	1
11	AJR-205900	PAPER DEDECT LEVER	1
12	AJR-218201	CARD SENSOR SPRING	1
13	EPC-002430	APXS-6 PIX-55 PRINTER SENSOR BOARD	1
14	SUG-3005	SCREW D-3mm, L-5mm	1
15	AJR-211700	FLAT CABLE	1
16	AJR-132800	ROLLER SHAFT	1
17	AJR-122700	PLASTIC ROLLER	1
18	AJR-202200	LOCK CATCH, SPRING	1
19	AJR-212350	PIX-15 BASE CASE ASSEMBLY	1
20	IBG-3012	SCREW D-3mm, L-12mm	1
21	AJR-218300	RUBBER FOOT	4
22	AJR-218952	PIX-15 PCB ASSEMBLY	1

Printer Assembly



Printer Assembly (Cont'd.)

NO.	PART NO.	DESCRIPTION	QTY. PER
1	UFJ-30142V	SELF TAPPING SCREW	3
2	AJR-120901	GEAR (1)	1
3	SR-212301	MIDDLE GEAR SHAFT	2
4	AJR-121000	GEAR (2)	1
5	AJR-122101	UPPER GUIDE FRAME	1
6	AJR-122800	GREEN RIBBON SHIELD	1
7	AJR-121700	PRINTER HEAD SHAFT	1
8	AJR-201350	PRINTER SUB ASSEMBLY, PIX-15	1
9	AJR-1211201	GEAR BOX (LEFT)	1
10	AJR-217651	MOTOR SENSOR PCB W/LED AXPL-1P	1
11	IBG-3006	CROSS HEAD SCREW W/WASHER	2
12	AJR-120600	GEAR BOX (RIGHT)	1
13	AJR-120870	MOTOR ASSEMBLY SIDE PRINTER	1
14	AJR-201552	GEAR BOX ASSEMBLY PIX-15/21	1
15	AJR-120152	PRINTER FRAME ASSEMBLY	1
16	AJR-120400	SLIDE BUSHING	4
17	AJR-121450	CYLINDRICAL CAM ASSEMBLY	1
18	CE-315151	RIBBON CASSETTE (SINGLE)	1
19	SR-213302	RIBBON ADVANCE GEAR	1
20	IR-322501	CLUTCH RING	1
21	AJR-207200	CARRIAGE, BLACK PIX-15	1
22	SR-213202	RIBBON ADVANCE SHAFT	1
24	CE-127006KD	DOT PRINTER HEAD ASSEMBLY	1

Notes

AMANO®

Corporate Headquarters
140 Harrison Avenue, Roseland, NJ 07068-1239
(800) 526-2559

www.amano.com