

**AMANO®**

# PIX-3000x

**Series Electronic Time Recorder**

## **Service Parts List**



Amano Cincinnati Inc. reserves the right to make equipment changes and improvements that may not be reflected in this document. Portions of this document may have been updated to include the latest hardware or firmware version, if applicable.

**Proprietary Notice**

---

This document contains proprietary information and such information may not be reproduced in whole or in part without written permission from:

Amano Cincinnati, Inc.  
140 Harrison Avenue  
Roseland, New Jersey, 07068

For more information about Amano's complete line of products, visit our web site at:

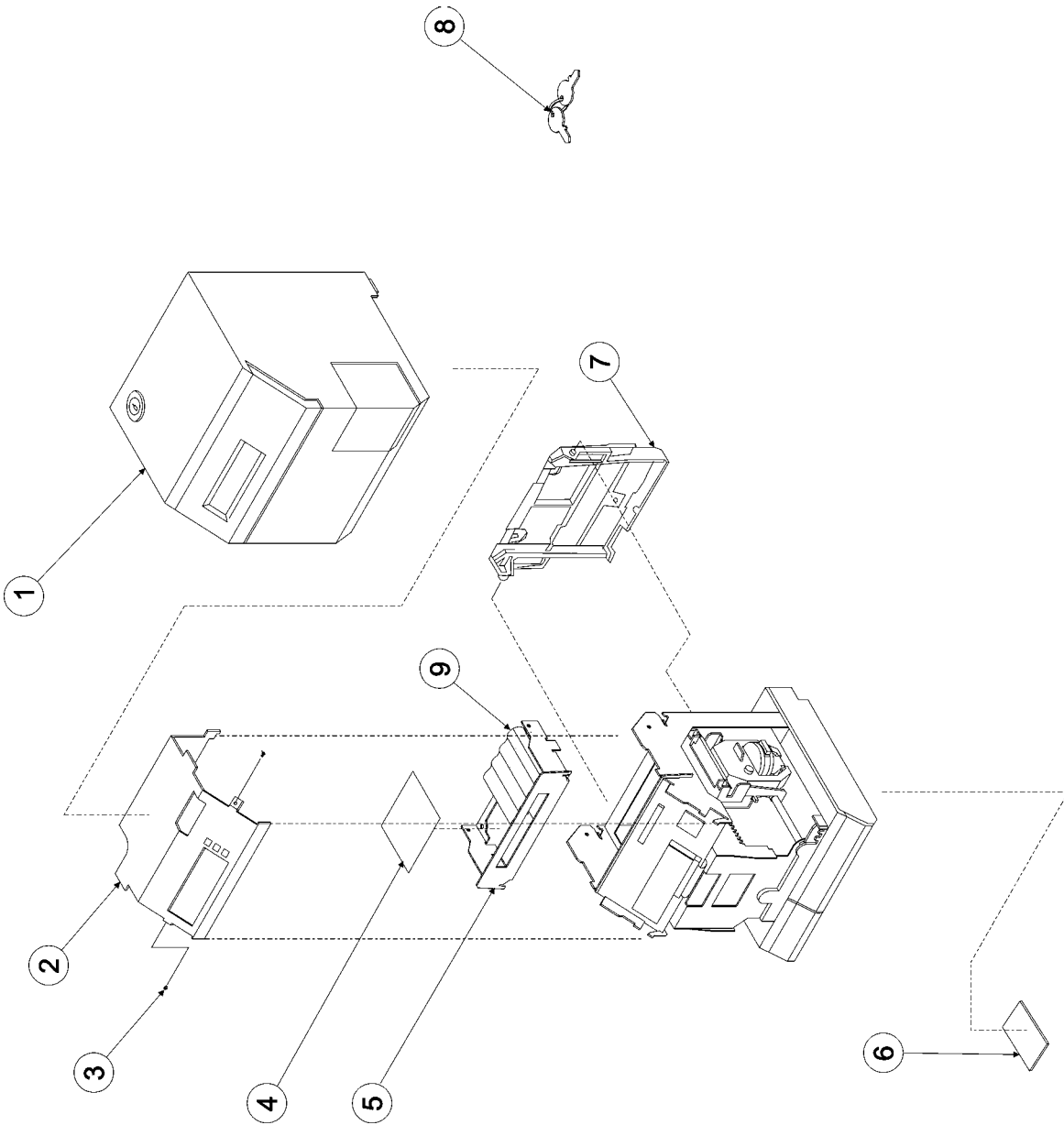
**[www.amano.com](http://www.amano.com)**

# Table of Contents

---

|   |           |
|---|-----------|
| <b>Total Assembly .....</b>               | <b>1</b>  |
| <b>Cover Case Assembly .....</b>          | <b>3</b>  |
| <b>PCB Cover Assembly .....</b>           | <b>5</b>  |
| <b>Main Assembly .....</b>                | <b>7</b>  |
| <b>Total Printer Frame Assembly .....</b> | <b>9</b>  |
| <b>Base Case Assembly .....</b>           | <b>11</b> |

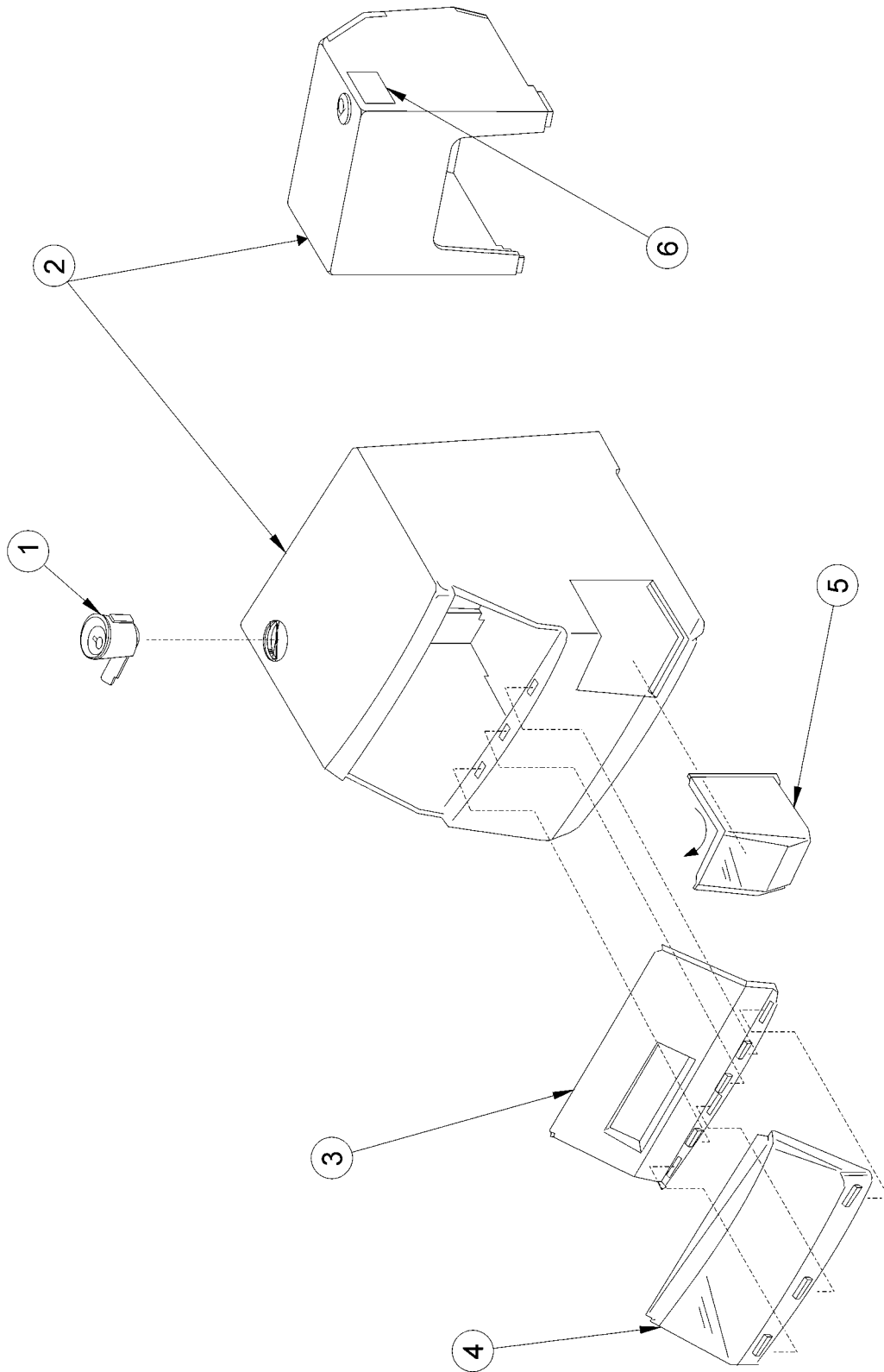
# Total Assembly



## Total Assembly

| NO. | PART NO.   | DESCRIPTION                    | QTY. PER |
|-----|------------|--------------------------------|----------|
| 1   | AJR-164950 | COVER CASE ASSEMBLY (PIX-3000) | 1        |
| 2   | AJR-171150 | PCB COVER ASSEMBLY             | 1        |
| 3   | STG-3004   | SCREW D=3mm, L=4mm             | 2        |
| 4   | AJR-164000 | INSULATION SHEET               | 1        |
| 5   | AJR-164050 | BATTERY FRAME ASSEMBLY         | 1        |
| 6   | ACC-300063 | SERIAL NO. LABEL UL*CSA        | 1        |
| 7   | AJR-133002 | WALL MOUNTING PLATE            | 1        |
| 8   | C-459150   | KEY ASSEMBLY (#700 KEY)        | 1        |
| 9   | AJR-111000 | BATTERY ASSEMBLY FOR PIX-3000  | 1        |

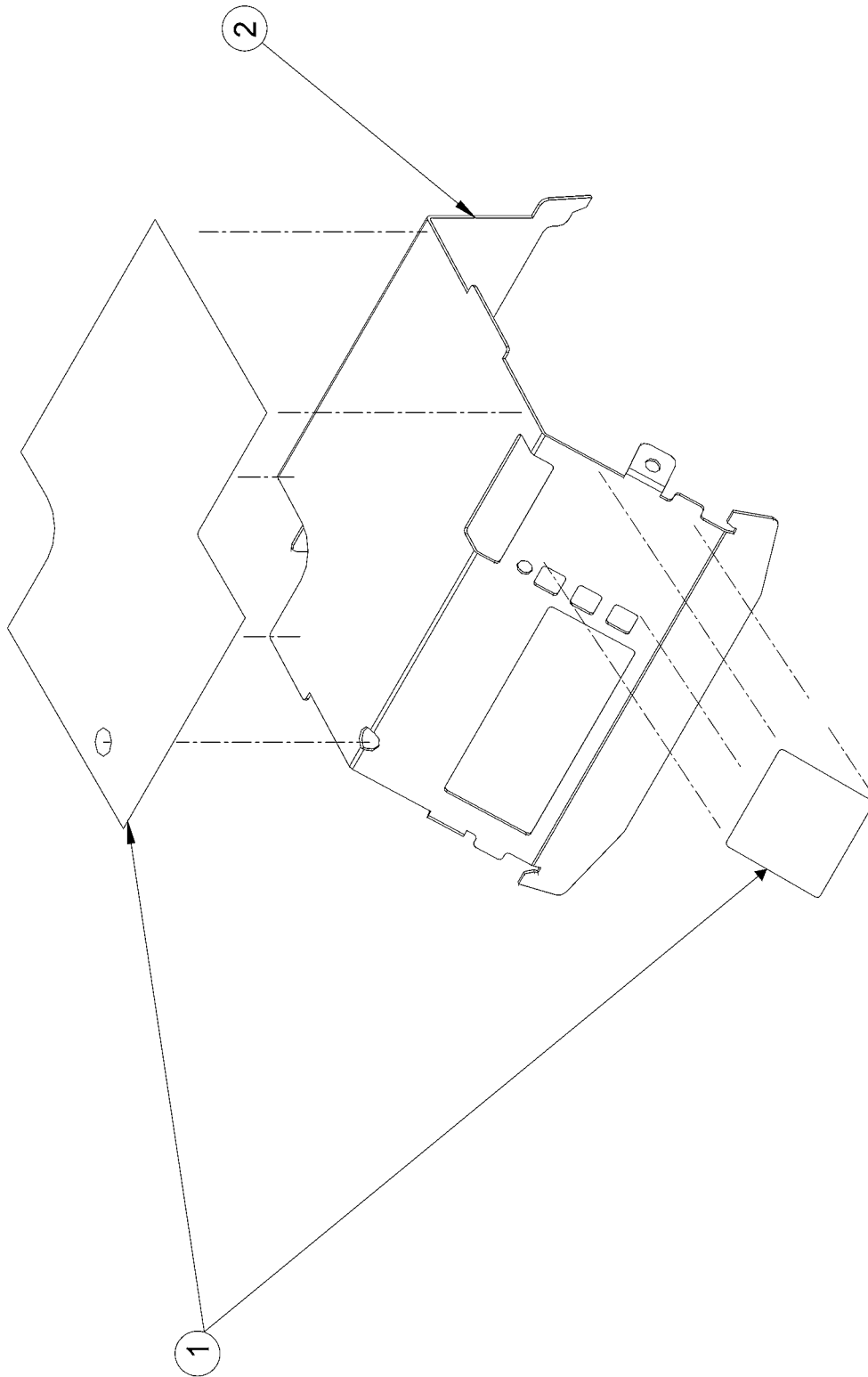
# Cover Case Assembly



## Cover Case Assembly

| NO. | PART NO.   | DESCRIPTION              | QTY. PER |
|-----|------------|--------------------------|----------|
| 1   | AJR-130851 | LOCK ASSEMBLY            | 1        |
| 2   | AJR-130101 | COVER CASE: SIDE PRINTER | 1        |
| 3   | AJR-178200 | DISPLAY PANEL (NASDAQ)   | 1        |
| 4   | AJR-130400 | DISPLAY WINDOW           | 1        |
| 5   | AJR-130501 | PRINTING WINDOW          | 1        |
| 6   | C-413500   | CAUTION LABEL            | 1        |

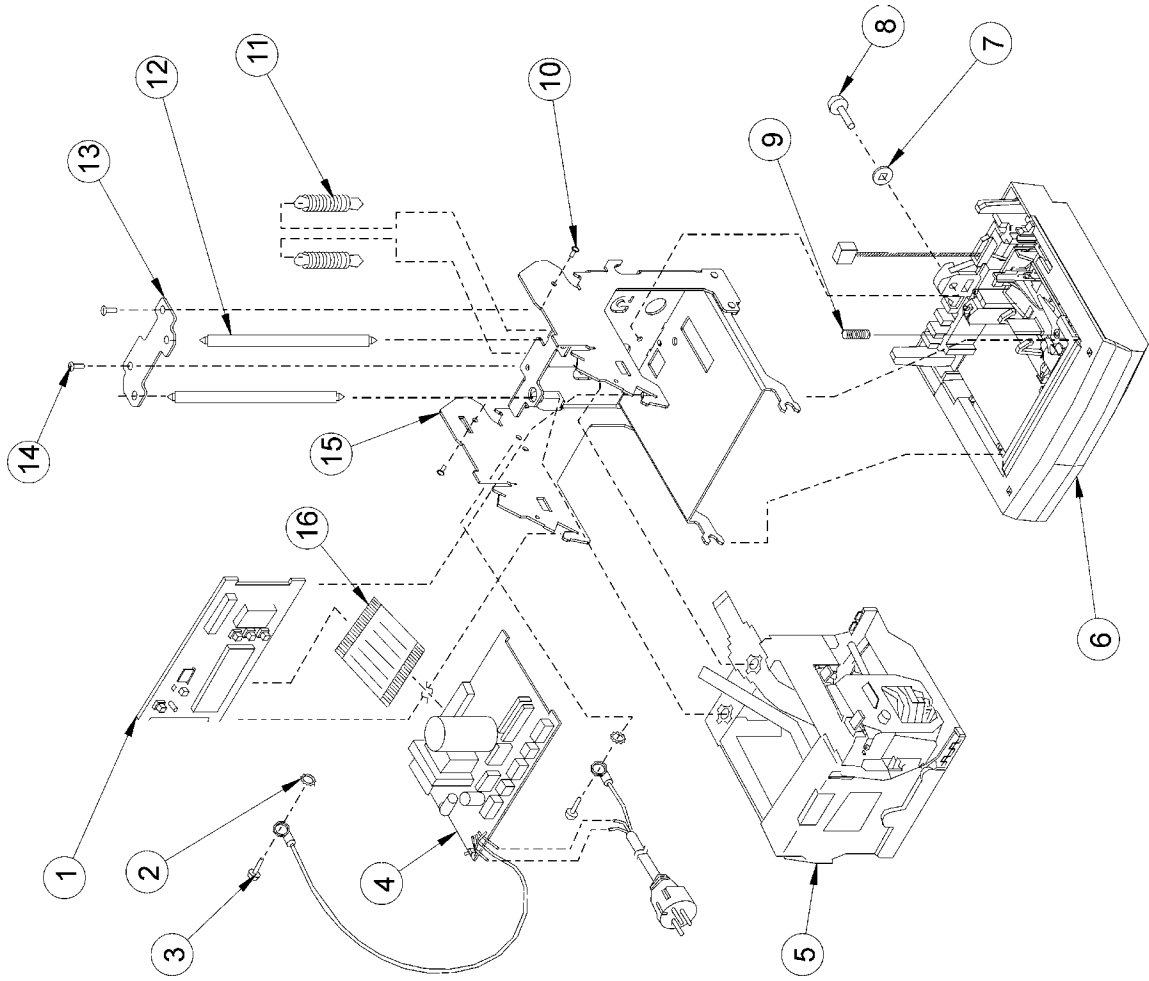
# PCB Cover Assembly



## PCB Cover Assembly

| NO. | PART NO.   | DESCRIPTION  | QTY. PER |
|-----|------------|--------------|----------|
| 1   | AJR-110701 | SET UP SHEET | 1        |
| 2   | AJR-110603 | PCB COVER    | 1        |

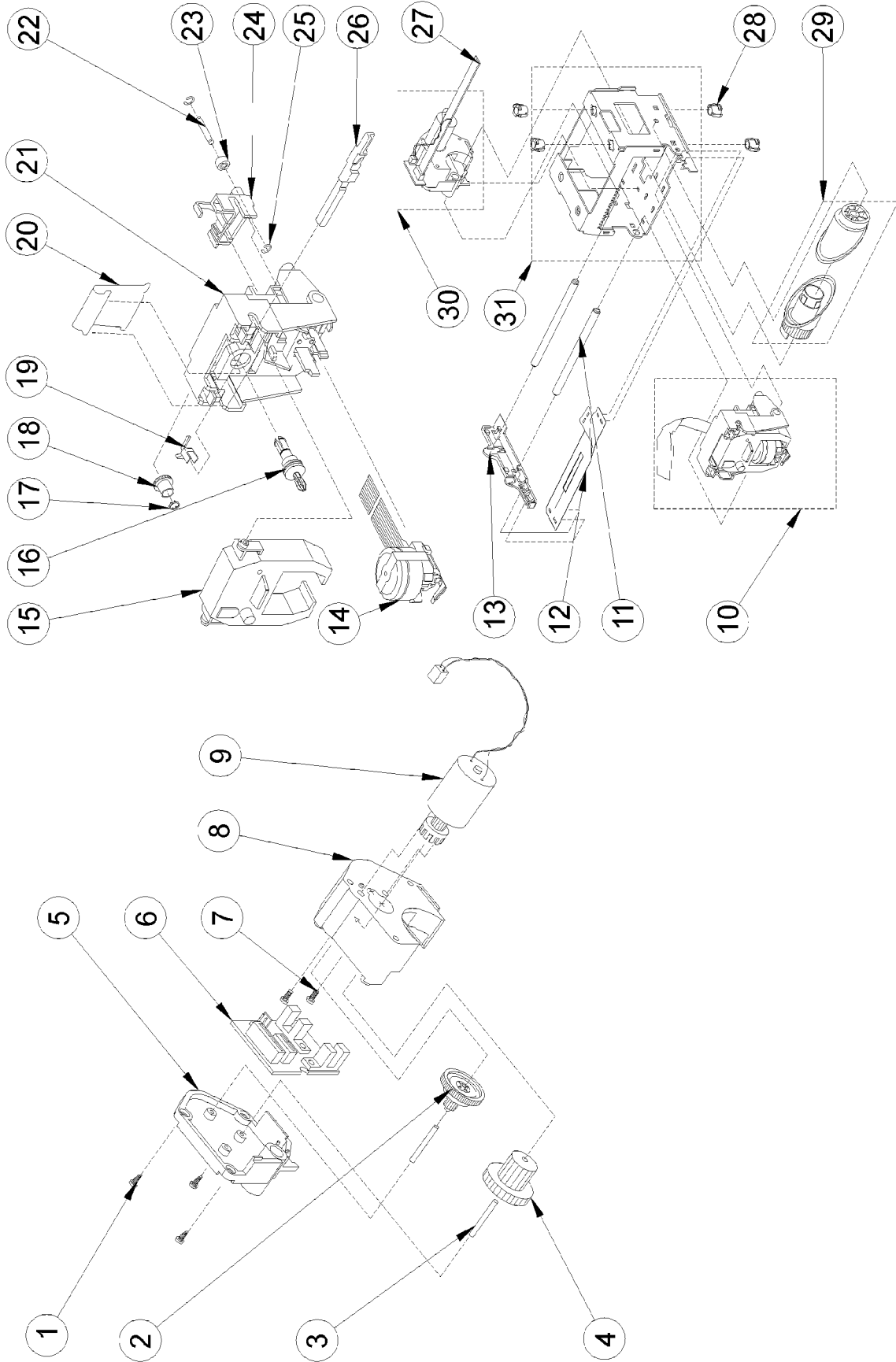
# Main Assembly



## Main Assembly

| NO. | PART NO.   | DESCRIPTION                         | QTY. PER |
|-----|------------|-------------------------------------|----------|
| 1   | AJR-170055 | APIC-1B CPU PCB ASSEMBLY (DIPI-10P) | 1        |
| 2   | WIB-4004   | WASHER T=4MM, l=4MM                 | 2        |
| 3   | UTJ-4005   | TAP SCREW D-4.MM, L-.5MM            | 2        |
| 4   | AJR-115250 | APIP POWER PCB ASSEMBLY (USA)       | 1        |
| 5   | AJR-170750 | TOTAL PRINTER FRAME ASSEMBLY        | 1        |
| 6   | AJR-164850 | BASE CASE ASSEMBLY(PIX3000)         | 1        |
| 7   | WDG-4008   | WASHER STEL. T-4.MM, l-.8MM         | 1        |
| 8   | UTJ-4010   | TAP SCREW D-4MM, L-10MM             | 1        |
| 9   | AJR-164400 | SENSOR LEVER SPRING                 | 1        |
| 10  | RTB-305500 | PLASTIC RIVET                       | 2        |
| 11  | AJR-164200 | PAPER HOLDING SPRING                | 2        |
| 12  | AJR-122301 | PRINTER GUIDE SHAFT                 | 2        |
| 13  | AJR-122400 | ADJUSTMENT PLATE                    | 1        |
| 14  | IBG-4008   | CROSSHEAD SCREW WWASHER             | 2        |
| 15  | AJR-110150 | MAIN FRAME ASSEMBLY                 | 1        |
| 16  | AJR-140300 | FLAT CABLE - SMCD 30X40BD           | 1        |

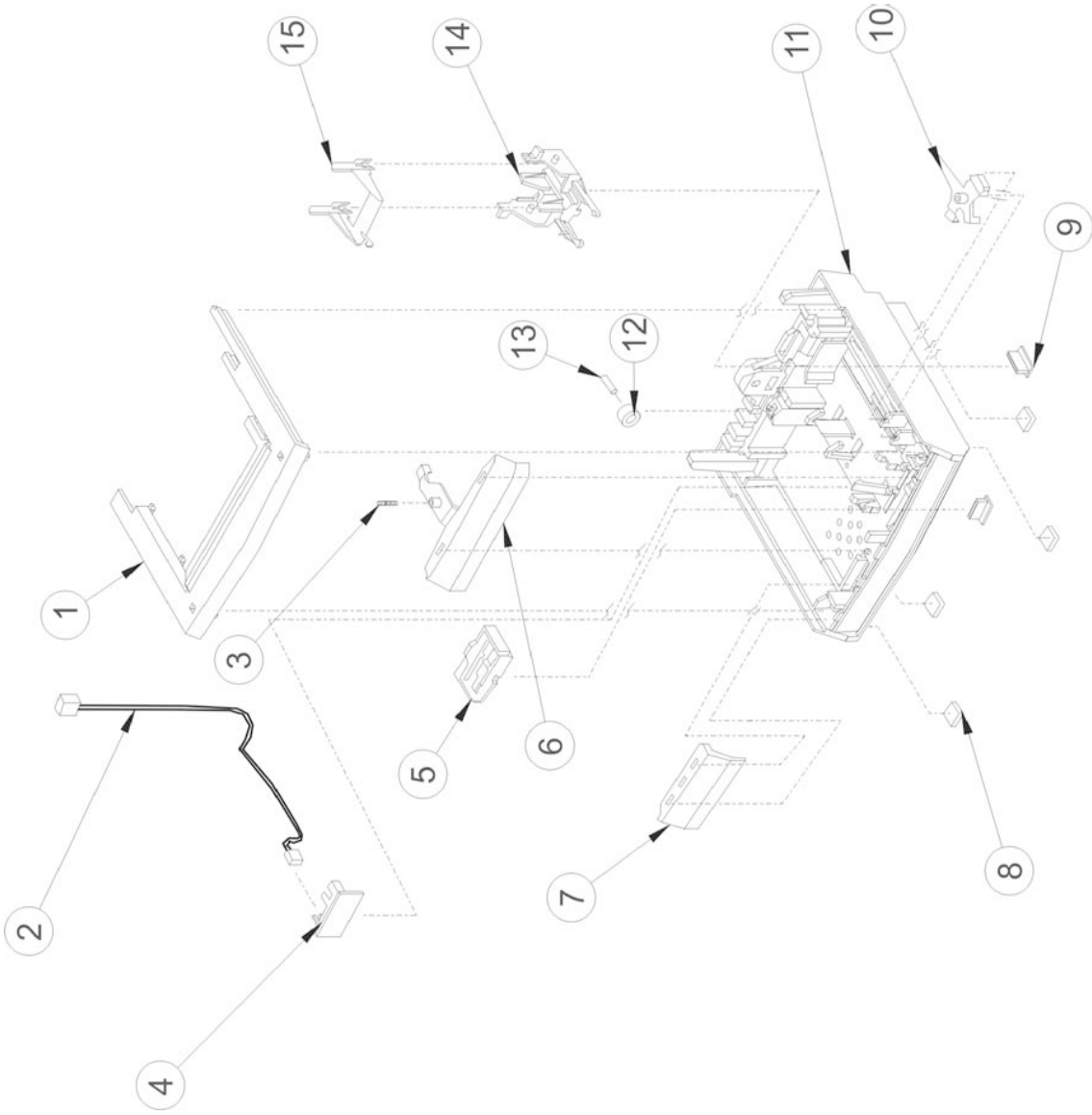
# Total Printer Frame Assembly



## Total Printer Frame Assembly

| NO. | PART NO.   | DESCRIPTION                       | QTY. PER |
|-----|------------|-----------------------------------|----------|
| 1   | UFJ-30142V | SELF TAPPING SCREW                | 3        |
| 2   | AJR-120901 | GEAR (1)                          | 1        |
| 3   | SR-212301  | MIDDLE GEAR SHAFT                 | 2        |
| 4   | AJR-121000 | GEAR (2)                          | 1        |
| 5   | AJR-121201 | GEAR BOX (LEFT)                   | 1        |
| 6   | AJR-170252 | MOTOR PCB APIM-3A ASSEMBLY        | 1        |
| 7   | IBG-3006   | CROSS HEAD SCREW W/WASHER         | 2        |
| 8   | AJR-120600 | GEAR BOX (RIGHT)                  | 1        |
| 9   | AJR-120870 | MOTOR ASSEMBLY SIDE PRINTER       | 1        |
| 10  | AJR-121602 | PRINTER ASSEMBLY (PIX-3000)       | 1        |
| 11  | AJR-121700 | PRINTER HEAD SHAFT                | 2        |
| 12  | AJR-122200 | RIBBON SHIELD                     | 1        |
| 13  | AJR-122101 | UPPER GUIDE FRAME                 | 1        |
| 14  | CE-127004  | DOT PRINTER HEAD ASSEMBLY         | 1        |
| 15  | CE-315101  | RIBBON CASSETTE (SINGLE)          | 1        |
| 16  | SR-213201  | RIBBON ADVANCE SHAFT              | 1        |
| 17  | IR-322501  | CLUTCH RING                       | 1        |
| 18  | SR-213301  | RIBBON ADVANCE GEAR               | 1        |
| 19  | AJR-122601 | KNOB                              | 1        |
| 20  | SR-220201  | RIBBON CARTRIDGE HLD.R. SPR.      | 1        |
| 21  | SR-382111  | CARRIAGE, SIDE PRINTER (PIX-3000) | 1        |
| 22  | AJR-121800 | CAM FOLLOWER SHAFT                | 1        |
| 23  | AJR-122700 | PLASTIC ROLLER                    | 1        |
| 24  | AJR-122000 | CAM FOLLOWER BLOCK                | 1        |
| 25  | CAB-2004   | CLIP-ZINC T-2.MM, I-.4MM          | 2        |
| 26  | SR-220001  | COLOR CHANGE SLIDER               | 1        |
| 27  | AJR-121300 | FLAT CABLE (SUMI-CARD)            | 1        |
| 28  | AJR-120400 | SLIDE BUSHING                     | 4        |
| 29  | AJR-121450 | CYLINDRICAL CAM ASSEMBLY          | 1        |
| 30  | AJR-164700 | GEAR BOX ASSEMBLY                 | 1        |
| 31  | AJR-120152 | PRINTER FRAME ASSEMBLY            | 1        |

# Base Case Assembly



## Base Case Assembly

| NO. | PART NO.   | DESCRIPTION                 | QTY. PER |
|-----|------------|-----------------------------|----------|
| 1   | AJR-132601 | GUIDE PLATE                 | 1        |
| 2   | AJR-141450 | SPB-1A-C CABLE ASSEMBLY     | 1        |
| 3   | AJR-164300 | PRINT BAR SPRING            | 1        |
| 4   | AJR-170351 | PAPER DETECT PCB APID-1A    | 1        |
| 5   | AJR-131300 | SLIDE LEVER => SIDE PRINTER | 1        |
| 6   | AJR-132101 | PRINT BAR (PIX3000)         | 1        |
| 7   | AJR-132402 | COVER PLATE                 | 1        |
| 8   | SR-207101  | RUBBER FOOT                 | 4        |
| 9   | AJR-132700 | SLIDE CAP, SIDE PRINTER     | 2        |
| 10  | AJR-131800 | SENSOR LEVER                | 1        |
| 11  | AJR-131204 | CASE BASE                   | 1        |
| 12  | FR-315200  | BEARING                     | 1        |
| 13  | AJR-132800 | ROLLER SHAFT                | 1        |
| 14  | AJR-131501 | SENSOR FRAME                | 1        |
| 15  | AJR-131701 | PAPER DETECTION LEVER       | 1        |

# Notes





*Time-Based Solutions For Your Business™*

*Atlanta • Chicago • Cincinnati • Dallas  
Los Angeles • New York • Toronto*

*Corporate Headquarters: 140 Harrison Avenue, Roseland, NJ 07068-1239*

**800•526•2559**  
*www.amano.com*